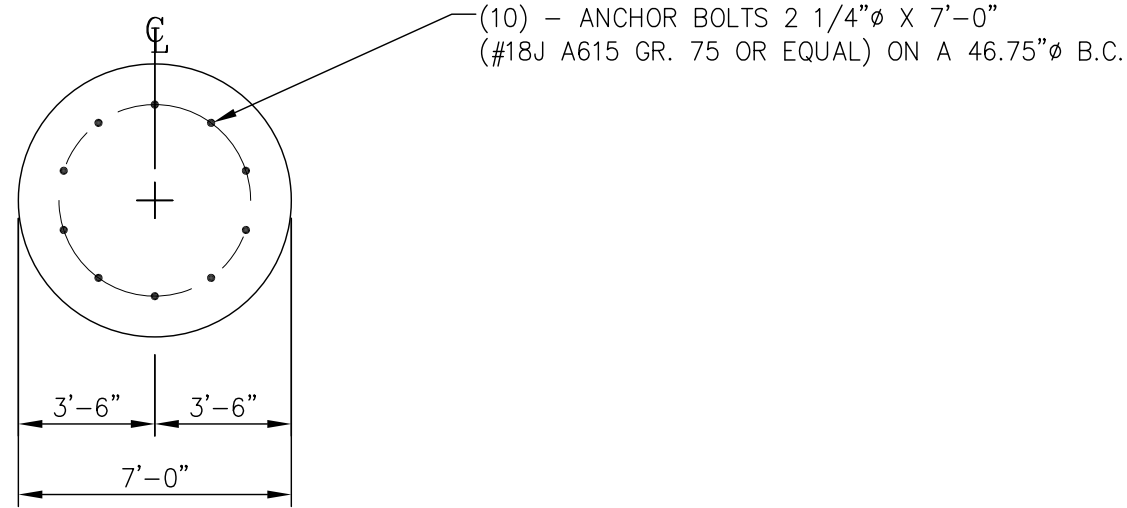






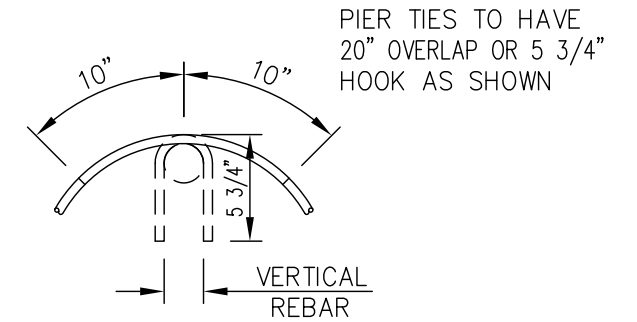
REINFORCING STEEL SCHEDULE

LOCATION	NO REQ'D.	BAR SPC'G.	SIZE	CUT LGTH.	TOTAL LGTH.	TOTAL WT.	SHAPE
PIER VERTICAL REINFORCING	34	NOTED ON DWG.	#9	22'-0"	748'-0"	2543 LBS.	STRAIGHT
PIER TIES	35	NOTED ON DWG.	#5	22'-0"	770'-0"	803 LBS.	
TOTAL REBAR WT.						3346 LBS.	



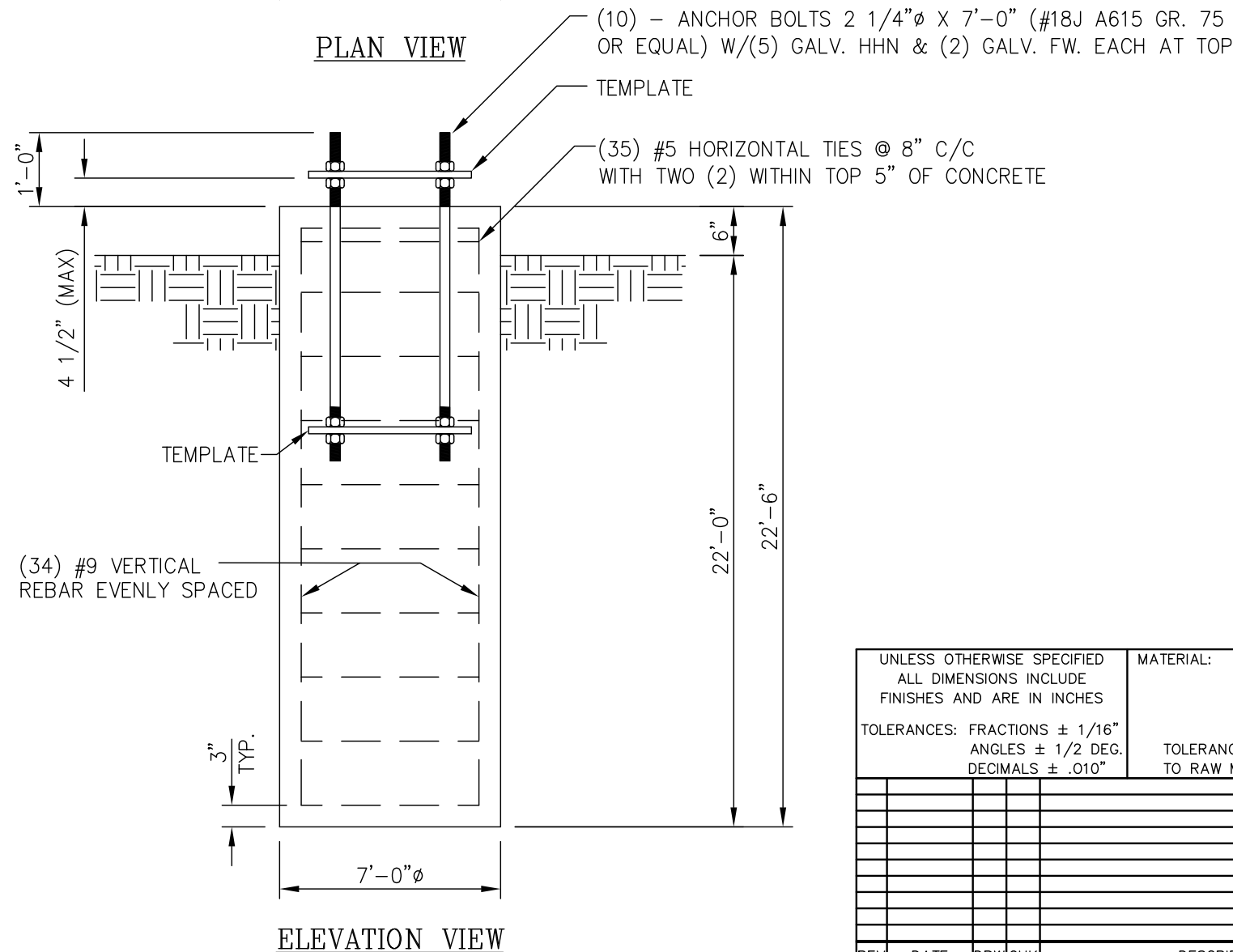
(10) - ANCHOR BOLTS 2 1/4"φ X 7'-0"  
 (#18J A615 GR. 75 OR EQUAL) ON A 46.75"φ B.C.

PLAN VIEW



PIER TIES TO HAVE 20" OVERLAP OR 5 3/4" HOOK AS SHOWN

PIER TIE HOOK DETAIL



(10) - ANCHOR BOLTS 2 1/4"φ X 7'-0" (#18J A615 GR. 75 OR EQUAL) W/(5) GALV. HHN & (2) GALV. FW. EACH AT TOP  
 TEMPLATE  
 (35) #5 HORIZONTAL TIES @ 8" C/C WITH TWO (2) WITHIN TOP 5" OF CONCRETE

(34) #9 VERTICAL REBAR EVENLY SPACED

ELEVATION VIEW

GENERAL NOTES:

1. ALL ANCHOR BOLTS AND VERTICAL REINFORCING BARS ARE TO BE SECURELY TIED BEFORE CONCRETE IS PLACED SO THEY WILL REMAIN PARALLEL TO THE CENTERLINE OF THE PIER.
2. THE GROUND ELEVATION SHALL BE A MAXIMUM OF 6" BELOW THE TOP OF THE PIER.
3. ALL EXPOSED CONCRETE CORNERS ARE TO BE CHAMFERED 3/4 INCH.
4. ALL REINFORCING STEEL SHALL CONFORM TO ASTM A615 GRADE 60 DEFORMED BARS.
5. CONCRETE SHALL HAVE A MINIMUM 28 DAY COMPRESSIVE STRENGTH OF 4500 PSI, IN ACCORDANCE WITH ACI 318-14.
6. REINFORCING STEEL TO HAVE A 3" MINIMUM CONCRETE COVER.
7. FOUNDATION DESIGN IS BASED ON THE GEOTECHNICAL REPORT BY VANN ENGINEERING, PROJECT NO. 31197, DATED 10/20/2023
8. ANCHOR BOLTS 2 1/4"φ X 7'-0" (#18J A615 GR. 75 OR EQUAL) ON A 46.75"φ BOLT CIRCLE (10 REQ'D).
9. CONCRETE REQUIRED 32.07 CUBIC YARDS.
10. SEE THE GEOTECHNICAL REPORT FOR DRILLED PIER INSTALLATION REQUIREMENTS, IF SPECIFIED.
11. THE BOTTOM ANCHOR BOLT TEMPLATE SHALL BE POSITIONED AS CLOSELY AS POSSIBLE TO THE BOTTOM OF THE ANCHOR BOLTS.
12. DISTANCE BETWEEN CENTER OF ANCHOR BOLT CAGE & THE CENTER OF PIER NOT TO EXCEED 1/2" WITHOUT APPROVAL FROM ENGINEER OF RECORD.

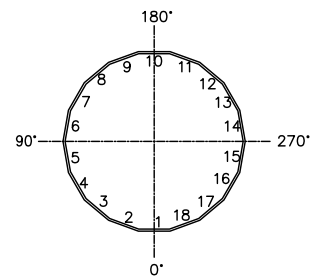
UNLESS OTHERWISE SPECIFIED ALL DIMENSIONS INCLUDE FINISHES AND ARE IN INCHES		MATERIAL:	
TOLERANCES: FRACTIONS ± 1/16" ANGLES ± 1/2 DEG. DECIMALS ± .010"		TOLERANCES DO NOT APPLY TO RAW MATERIAL	
REV	DATE	DRW/CHK	DESCRIPTION

**Sabre Industries™**  
 INNOVATION DELIVERED

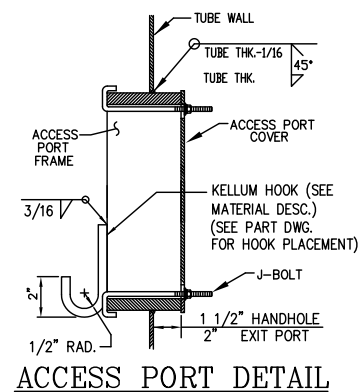
**CONFIDENTIAL**  
 This document and the information contained herein is the confidential trade secret property of Sabre Industries, Inc. ("Sabre") and must not be reproduced, copied or used, in whole or in part, for any purpose without the prior written consent of Sabre.  
 © 2023 Sabre Industries, Inc. All rights reserved.

DW TOWER LLC WHISPER RIDGE, AZ 70.00 MONOPOLE			
JOB NO. 534118	SIZE B	DRAWING NO. 534118-F2	REV 0
DATE 12/19/23	DRAWN BY JKW	CHECKED BY WJ	SCALE None
PAGE 1 OF 1		PAGE 1 OF 1	

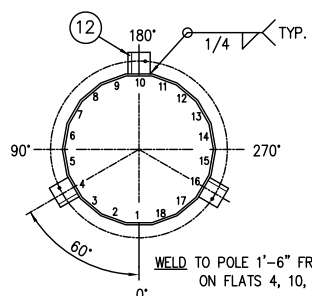
ft'-in" = BOTTOM OF SECTION TO STAND OFF BRACKET  
 ft'-in" = C-LINE OF BUSS BAR LUG



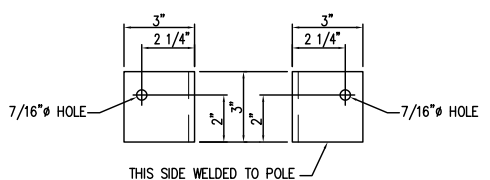
FLAT LABELING DETAIL



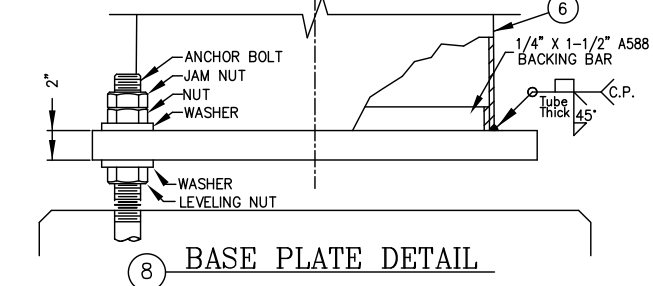
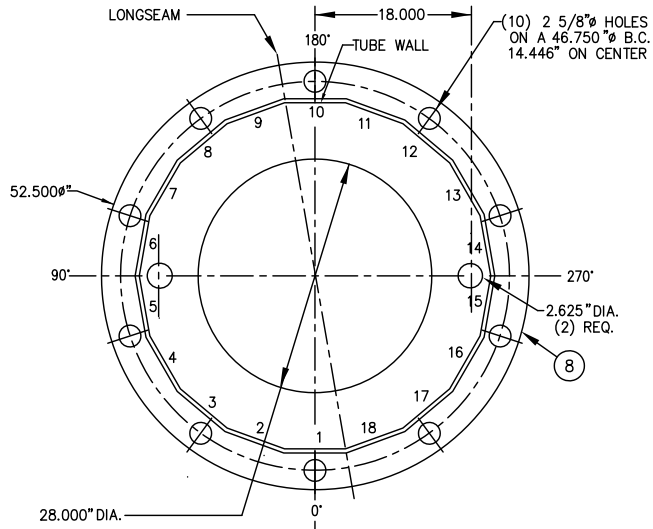
ACCESS PORT DETAIL



GROUND LUG ANGLE WELD



MARK: MWS00004



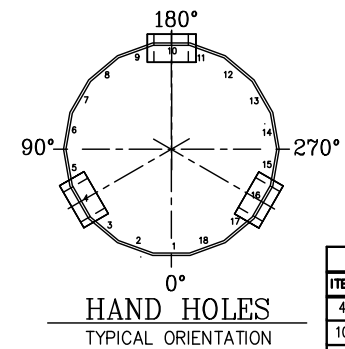
BASE PLATE DETAIL

18-SIDED POLE		LIST OF MATERIAL			TAPER= .3610 IN/FT
ITEM	QTY	MARK NO.	DESCRIPTION	MATERIAL	WEIGHT
1	1	534118-0110	TUBE 1/4" x 23.58 x 16.00 x 21'-0"	A572-65	1105
2	1	UID05	ID TAG 1/4" x 2" x 0'-5 3/4"	A572-65	1
3	1	534118-5002	TOP COVER PLATE	A-36	-
4	6	C30138101	ACCESS PORT (6" X 12" X 3 1/2" X 5/8") WITH 2 HOOKS	A-500-C	123
5	4	C40001553	1"-8 HEAVY HEX JACKING NUT	A-563	4
					ASSEMBLY WEIGHT: 1235
6	1	534118-0120	TUBE 5/16" x 40.41 x 21.91 x 51'-3"	A572-65	5325
7	1	UID05	ID TAG 1/4" x 2" x 0'-5 3/4"	A572-65	1
8	1	534118-5001	BASE PLATE 2" x 52.50" ROUND	A572-50	850
9	11 ft	L770016	FLAT 1/4" x 1 1/2"	A588	14
4	3	C30138101	ACCESS PORT (6" X 12" X 3 1/2" X 5/8") WITH 2 HOOKS	A-500-C	62
10	2	C30138104	ACCESS PORT (8" X 12" X 3 1/2" X 5/8") WITH 2 HOOKS	A-500-C	46
11	3	C30138005	ACCESS PORT (10 1/2" X 25 1/2" X 4" X 3/4") WITHOUT HOOKS	A-572-65	165
5	4	C40001553	1"-8 HEAVY HEX JACKING NUT	A-563	4
12	3	MWS00004	GROUND LUG ANGLE	A-36	3
					ASSEMBLY WEIGHT: 6469
					STRUCTURE BLACK WEIGHT: 7704

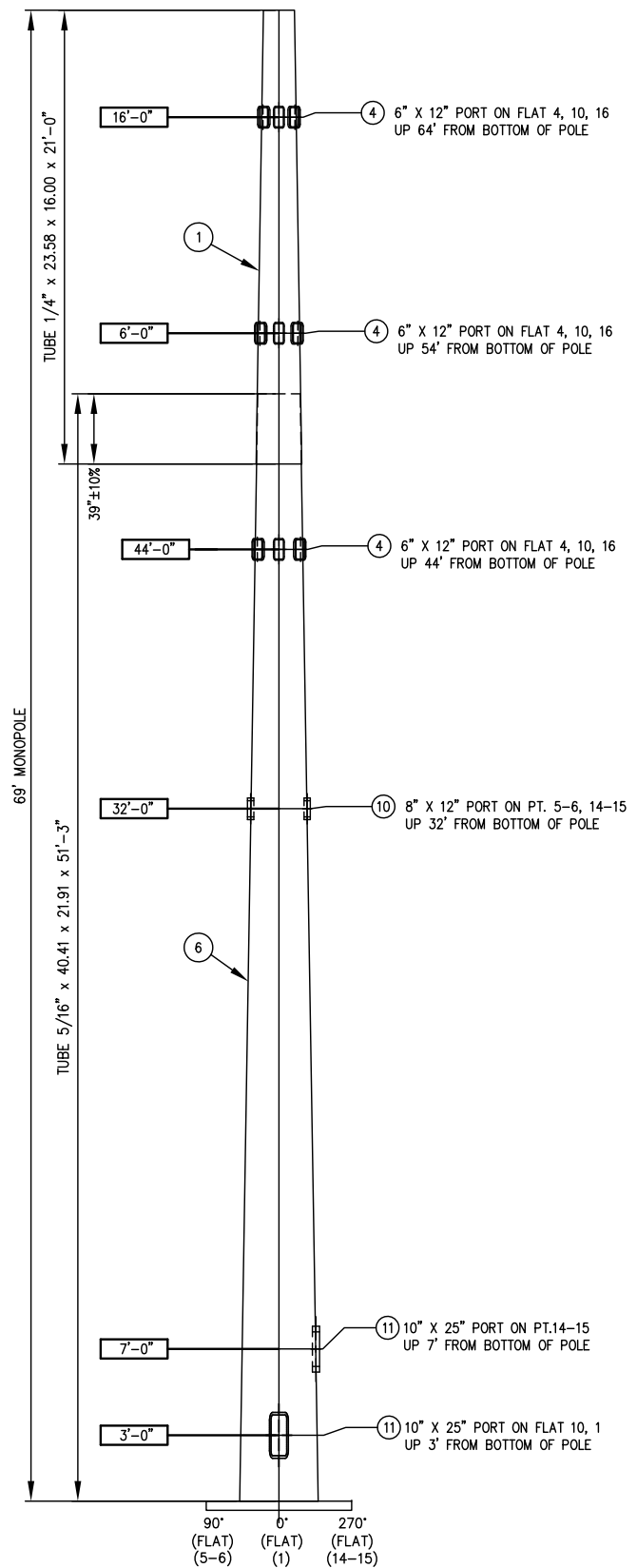
SHIP LOOSE MISC.					
13	9	C30136002	6.5" X 12.5" X 0.1875PL ACCESS COVER (GALV)	A-36	46
14	2	C30136003	8.5" X 12.5" X 0.1875PL ACCESS COVER (GALV)	A-36	13
15	3	C30136001	11.0" X 26.0" X 0.1875PL ACCESS COVER (GALV)	A-36	49
16	1	C40068001	13oz CAN OF COLD GALV SPRAY	--	1
17	1	CS00500	NAME PLATE	--	1

NOTE:  
SECTION ID TAG NUMBER TO MATCH TUBE MARK NO.

NOTE:  
REFER TO DRAWING 9029280 FOR  
MONOPOLE LONGSEAM WELD DETAILS.



ACCESS PORT DATA TABLE						
ITEM	PART NUMBER	WIDTH	HEIGHT	DEPTH	THICK	MATERIAL SPEC
4	C30138101	6"	12"	3 1/2"	5/8"	A-500-C
10	C30138104	8"	12"	3 1/2"	5/8"	A-500-C
11	C30138005	10 1/2"	25 1/2"	4"	3/4"	A-572-65



POLE ELEVATION

Rev	DATE	DRW/CHK	DESCRIPTION

UNLESS OTHERWISE SPECIFIED  
ALL DIMENSIONS INCLUDE  
FINISHES AND ARE IN INCHES

TOLERANCES: FRACTIONS ± 1/16"  
ANGLES ± 1/2 DEG.  
DECIMALS ± .010"

MATERIAL:  
TOLERANCES DO NOT  
APPLY TO RAW MATERIAL

**Sabre Industries™**  
INNOVATION DELIVERED

CONFIDENTIAL  
Information contained herein is the sole  
property of Sabre Communications  
Corporation, constitutes a trade secret  
as defined by Iowa Code Ch. 550 and  
shall not be reproduced, copied or used  
in whole or in part for any purpose  
whatsoever without prior written consent  
of Sabre Communications Corporation.

DW TOWER LLC  
WHISPER RIDGE, AZ

70.00 MONOPOLE

JOB	534118	SIZE	B	DRAWING NO.	534118-01	REV	0
DATE	12/18/23	DRAWN BY	JKW	SCALE	N.T.S.	PAGE	1 of
CHECKED BY	WJ						